

Overview

NIC's BPF + LNA assemblies are designed for a variety of applications and integrates a cavity filter and low noise amplifier into a single compact module for performance improvement, space saving and cost reduction.

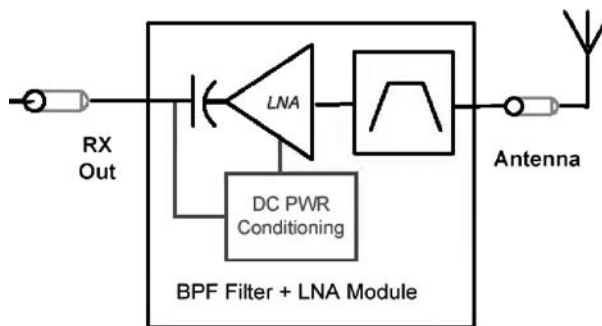
Features

- Designs available in L & S Band
- Low Noise Figure: 1.25 dB (Filter + LNA)
- Passband Gain: 23.5 dB
- Power Handling:
 - LNA Output: +5 dBm
 - Antenna Input: 10 dBm
- Hermetic and Non-Hermetic packages available
- Compact Form Factors

BPF + LNA Assemblies [L & S Band]



Block Diagram



Response

