

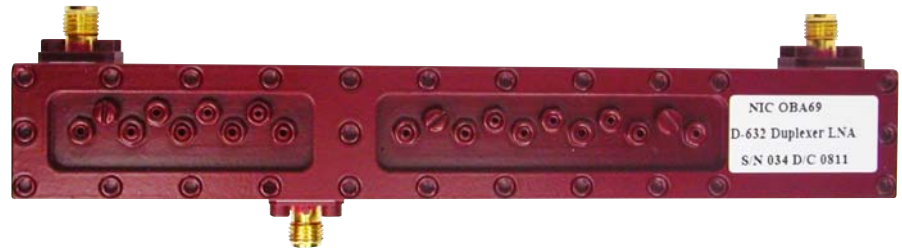
Overview

NIC's Duplexer-LNA assembly is designed for a variety of applications and integrates a high power cavity transmitter filter, receiver filter and low noise amplifier into a single compact module for performance improvement, space saving and cost reduction.

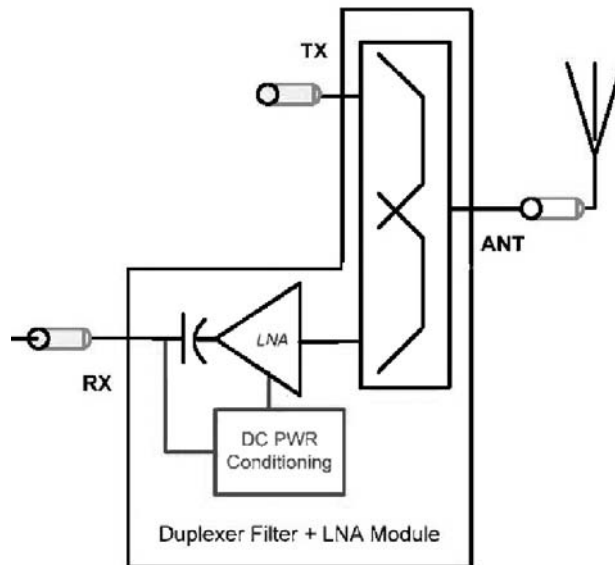
Features

- Designs available in L & S Band
- Low Noise Figure: 1.5 dB (Filter + LNA)
- Passband Gain: 23.5 dB
- Power Handling:
 - LNA Output: +5 dBm
 - Antenna Input: 10 dBm
- Hermetic and Non-Hermetic packages available
- Compact Form Factors

Duplexer + LNA Assemblies [L & S Band]

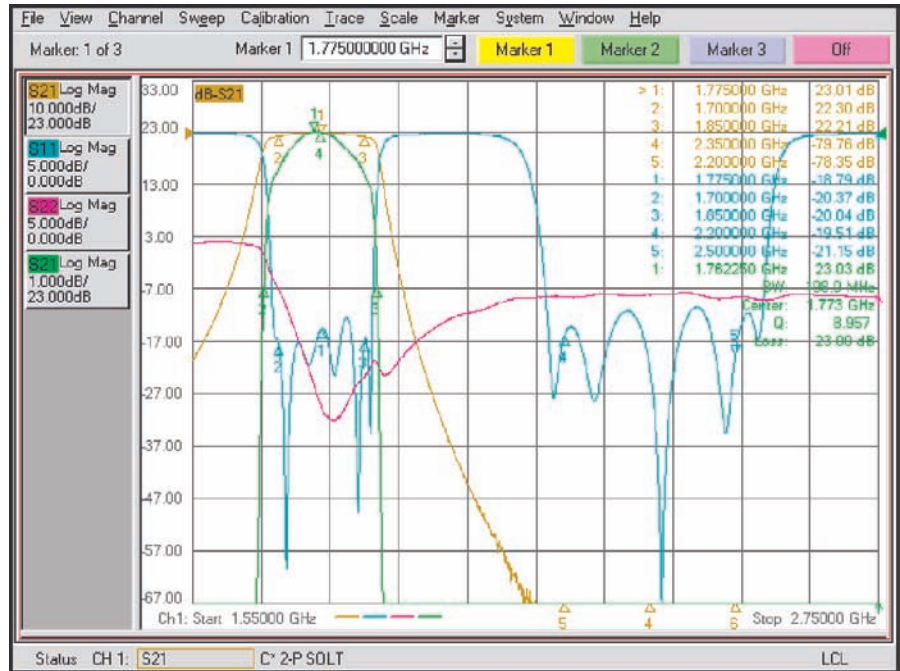


Block Diagram



Duplexer + LNA Assemblies [L & S Band]

Rx Channel Response



Tx Channel Response

