



# NIC

## NETWORKS INTERNATIONAL CORPORATION

15237 Broadmoor  
Overland Park, KS 66223 USA  
P: 913-685-3400 | F: 913-685-3732

### 200 MHz Fundamental Frequency Crystal Bandpass Filter

**A-1017**

Filter Specifications	
Parameter	Specifications
Center Frequency (MHz):	200
3dB Bandwidth (KHz):	50
Insertion Loss:	6dB max 5dB Typ
Passband Ripple (Peak to Valley):	0.5dB
Attenuation:	40dB @ Fc±100 KHz Ultimate Rejection: 75dB
Spur Response:	45dBc
Impedance (Input/Output):	50Ω
Package Style (Input/Output):	SMT
Operating Temperature:	-40°C to +70°C Tolerance @ -40°C: ±5 KHz Tolerance @ +70°C: ±5 KHz Storage Temp: -30°C to +85°C
Mechanical Dimensions (Inches):	1 x 0.5 x 0.28

Notes:

Features:

- 1) 200 MHz Fundamental Frequency Crystal Filter for Spectrum Clean up
- 2) Hermetic package complying with MIL-STD-202 environmental specifications
- 3) Primary Applications include clock/timing chain signal noise reduction
- 4) Small package size
- 5) Custom Designs of Fundamental Frequency Crystal Filters available upto 250 MHz.

For Higher Frequency Crystal Filters, please contact NIC.



Email: [sales@nickc.com](mailto:sales@nickc.com)

Web: [www.nickc.com](http://www.nickc.com)



# NIC

## NETWORKS INTERNATIONAL CORPORATION

15237 Broadmoor

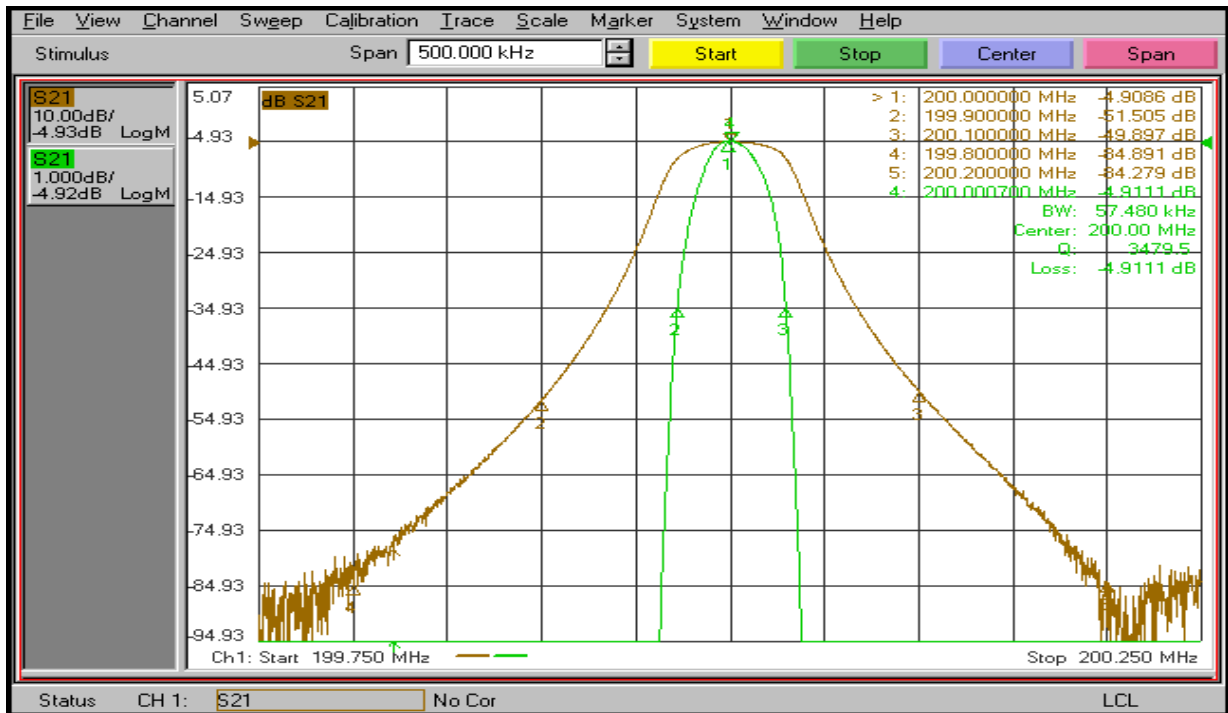
Overland Park, KS 66223 USA

P: 913-685-3400 | F: 913-685-3732

200 MHz Crystal Bandpass Filter

A-1017

### Response Plot



Email: [sales@nickc.com](mailto:sales@nickc.com)

Web: [www.nickc.com](http://www.nickc.com)



**NIC**

NETWORKS INTERNATIONAL CORPORATION

15237 Broadmoor

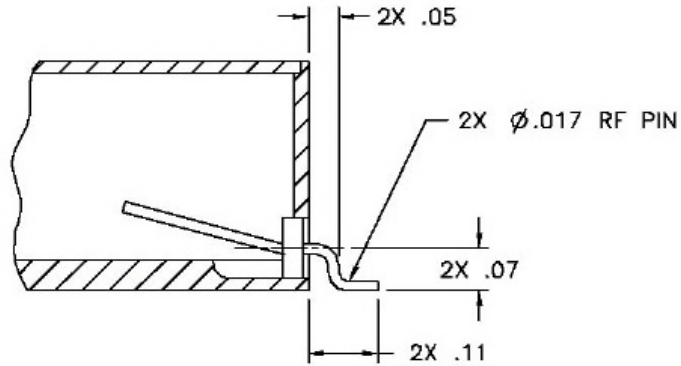
Overland Park, KS 66223 USA

P: 913-685-3400 | F: 913-685-3732

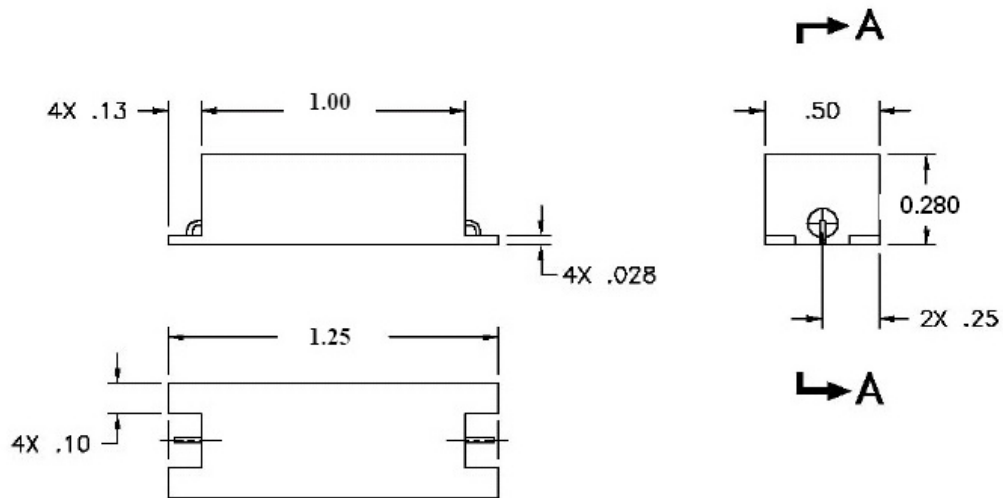
200 MHz Crystal Bandpass Filter

A-1017

**Package Outline**



SECTION **A-A**  
SCALE INCREASED FOR CLARITY



TOL: .xx:  $\pm$ .020  
.xxx:  $\pm$ .010

Notes:	<b>NETWORKS INTERNATIONAL CORPORATION</b>	
	15237 Broadmoor, Overland Park, KS 66223 ph: (913) 685-3400; fax: (913) 685-3732; email: sales@nickc.com	
Material: Stainless Steel 303	Title: S3-100-050-028S Outline	
DRAWINGS, DESIGNS, AND SPECIFICATIONS CONTAINED HEREIN ARE THE EXCLUSIVE AND CONFIDENTIAL PROPERTY OF NIC. NIC RESERVES THE RIGHT TO MAKE CHANGES TO PRODUCTS AND SERVICES DESCRIBED HEREIN WITHOUT NOTICE.	Doc: S3-100-050-028S.vsd	Rev:
	Drawn By: KRM	Date: 6/23/06
	Appvd By: AKB	Date: 6/23/06
UNITS: INCHES	Scale: N/A	



Email: sales@nickc.com

Web: www.nickc.com