

**NIC**

NETWORKS INTERNATIONAL CORPORATION

15237 Broadmoor

Overland Park, KS 66223 USA

P: 913-685-3400 | F: 913-685-3732

**5120 MHz Bandpass Filter****D-694**

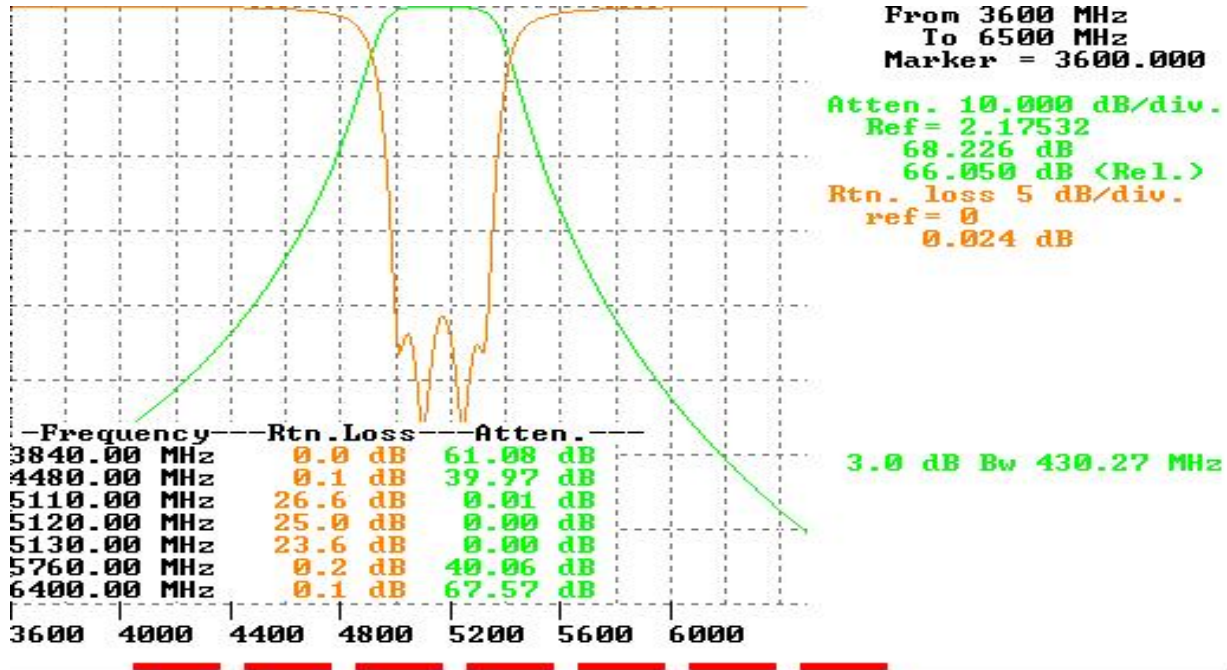
Filter Specifications	
Parameter	Specifications
Center Frequency (MHz):	5120
3dB Bandwidth (MHz):	20
Insertion Loss:	< 4dB at Center Frequency
VSWR:	1.5:1
Attenuation:	55dB @ 100-3840 MHz 35dB @ 4480 MHz 35dB @ 5760 MHz 55dB @ 6400 MHz 40dB @ 15000 MHz
Impedance (Input/Output):	1 €
Package Style (Input/Output):	SMA Connectors
Operating Temperature:	-40°C to +85°C
Mechanical Dimensions (Inches):	1.25 x 0.5 x 0.4

Notes:

Hermetically sealed package

ISO 9001:2000  
AS9100B  
CERTIFIEDEmail: [sales@nickc.com](mailto:sales@nickc.com)Web: [www.nickc.com](http://www.nickc.com)

### Response Plot





**NIC**

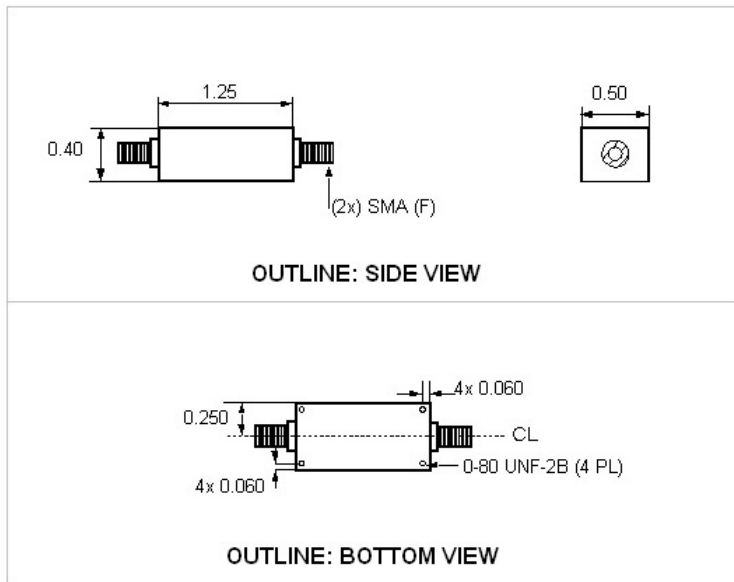
NETWORKS INTERNATIONAL CORPORATION

15237 Broadmoor  
Overland Park, KS 66223 USA  
P: 913-685-3400 | F: 913-685-3732

5120 MHz Bandpass Filter

D-694

**Package Outline**



TOL: .xx: ±.020  
.xxx: ± .010

Notes:	NETWORKS INTERNATIONAL CORPORATION	
	15237 Broadmoor, Overland Park, KS 66223	
Material: Stainless Steel 416	ph: (913) 685-3400, fax: (913) 685-3732, email: sales@nickc.com	
	Title: S4-125-050-040C Outline	
DRAWINGS, DESIGNS, AND SPECIFICATIONS CONTAINED HEREIN ARE THE EXCLUSIVE AND CONFIDENTIAL PROPERTY OF NIC. NIC RESERVES THE RIGHT TO MAKE CHANGES TO PRODUCTS AND SERVICES DESCRIBED HEREIN WITHOUT NOTICE.	Doc: S4-125-050-040C.vsd	Rev:
	Drawn By: KRM	Date: 10/18/06
	Appvd By: AKB	Date: 10/18/06
UNITS: INCHES	Scale: 1:1	



Email: sales@nickc.com

Web: www.nickc.com