

**NIC**

NETWORKS INTERNATIONAL CORPORATION

15237 Broadmoor

Overland Park, KS 66223 USA

P: 913-685-3400 | F: 913-685-3732

5900 MHz Bandpass Filter**D-723**

Filter Specifications	
Parameter	Specifications
Center Frequency (MHz):	5900
3dB Bandwidth (MHz):	1000
Insertion Loss:	<4dB in the passband
VSWR:	1.5:1 in BW of Fc ± 150 MHz
Passband Ripple (Peak to Valley):	1dB in BW of Fc ± 150 MHz
Attenuation:	>35dB @ 3000 MHz >30dB @ 3800 MHz >30dB @ 7000 MHz >35dB @ 8000 MHz - 15750 MHz
Impedance (Input/Output):	50 Ohms
Package Style (Input/Output):	SMA Connectorized Package
Operating Temperature:	TBD
Mechanical Dimensions (Inches):	1.25 x 0.38 x 0.38

Notes:

Group Delay Flatness: < 1nsec @ Fc ± 150 MHz

Email: sales@nickc.comWeb: www.nickc.com



NIC

NETWORKS INTERNATIONAL CORPORATION

15237 Broadmoor

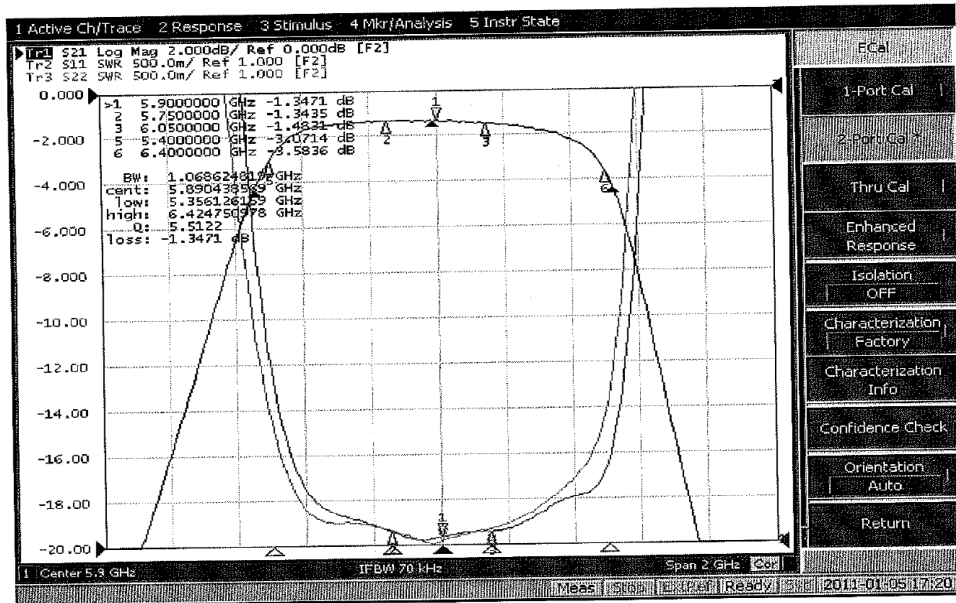
Overland Park, KS 66223 USA

P: 913-685-3400 | F: 913-685-3732

5900 MHz Bandpass Filter

D-723

Passband



Email: sales@nickc.com

Web: www.nickc.com



NIC

NETWORKS INTERNATIONAL CORPORATION

15237 Broadmoor

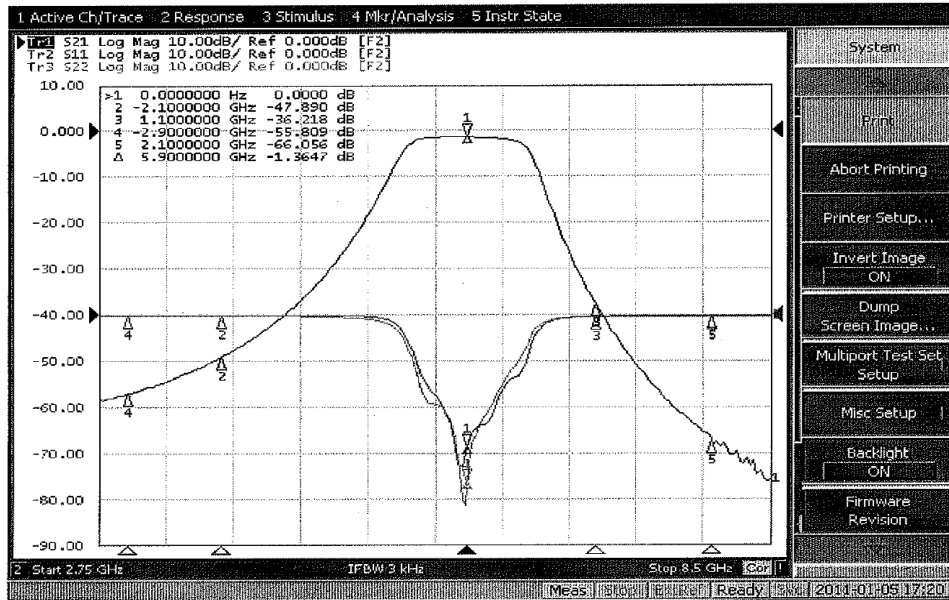
Overland Park, KS 66223 USA

P: 913-685-3400 | F: 913-685-3732

5900 MHz Bandpass Filter

D-723

Stopband



Email: sales@nickc.com

Web: www.nickc.com



NIC

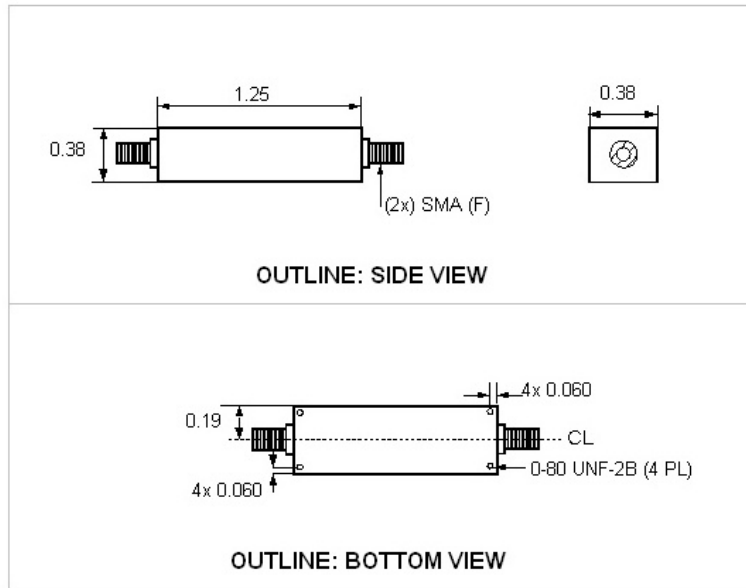
NETWORKS INTERNATIONAL CORPORATION

15237 Broadmoor
Overland Park, KS 66223 USA
P: 913-685-3400 | F: 913-685-3732

5900 MHz Bandpass Filter

D-723

Package Outline



TOL: .xx: ±.020
.xxx: ± .010

Notes:	NETWORKS INTERNATIONAL CORPORATION	
	15237 Broadmoor, Overland Park, KS 66223 ph: (913) 685-3400, fax: (913) 685-3732, email: sales@nickc.com	
Material: Aluminum 6061	Title: AL-125-038-038C Outline	
DRAWINGS, DESIGNS, AND SPECIFICATIONS CONTAINED HEREIN ARE THE EXCLUSIVE AND CONFIDENTIAL PROPERTY OF NIC. NIC RESERVES THE RIGHT TO MAKE CHANGES TO PRODUCTS AND SERVICES DESCRIBED HEREIN WITHOUT NOTICE.	Doc: AL-125-038-038C.vsd	Rev:
	Drawn By: KRM	Date: 10/18/06
	Appvd By: AKB	Date: 10/18/06
UNITS: INCHES	Scale: 1:1	



Email: sales@nickc.com

Web: www.nickc.com